







PROJECT		REF		REV	ITEM CODE	
LOCATION		DATE			PAGE	

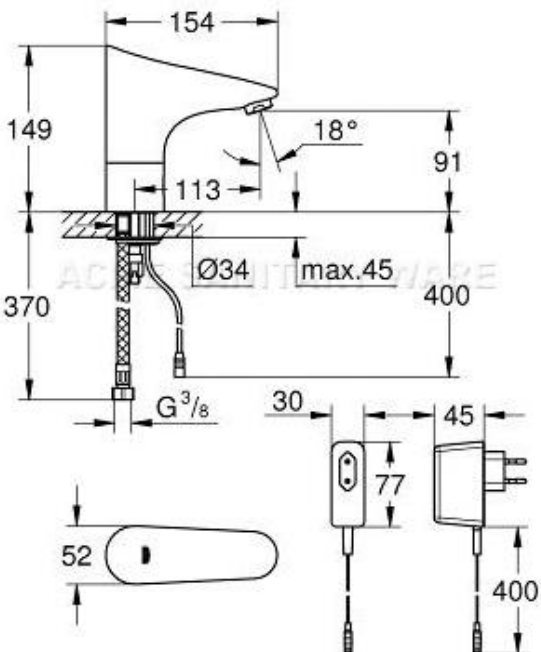
SANITARY WARE SPECIFICATION SHEET

Item Descriptions	GROHE (Germany) "Europlus E" Chrome plated infra-red electronic sensor faucet 1/2" in AC supply; nominated flow rate 1.7 L/min in WELS Grade 1; Registration No. TN 21-0021
Dimensions	L154 x W52 x H149 mm
Model	36016001
Material	Chrome Plated
Manufacturer	GROHE Limited
Supplier	Acme Sanitary Ware Co. Ltd Mr. Eric Wong/ Mr. Don Yuen
Contact Tel/Fax	(852) 2388-7171 / (852) 2710-8012
E-mail	acme@acmesanitary.com.hk
Website	www.acmesanitary.com.hk

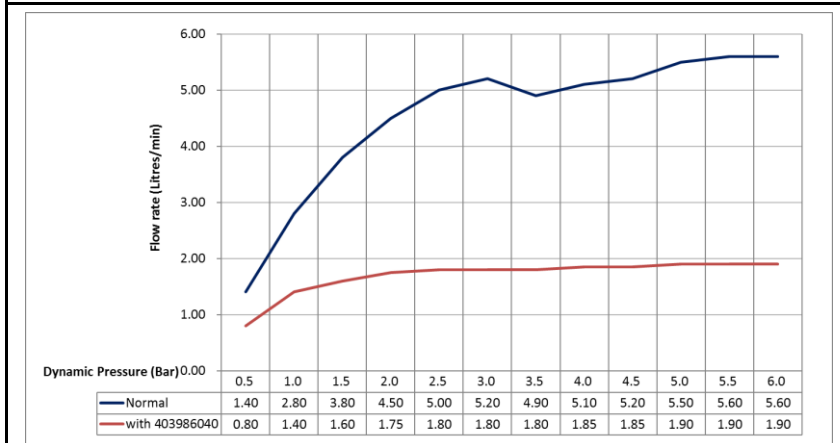
Illustration/ Drawing





- Single hole installation
- Quick installation system
- 7 pre-set programs:
- 24/72 hours autoflush
- Time or user dependent
- Cleaning mode
- Safety stop after 60 sec.
- Additional functions by remote control:
- Adjustable flow time
- Adjustable reflection range by remote
- Activation of thermal disinfection for 3.5 or 11 min by hand
- Flexible hose connection
- Non-return valve
- Dirt strainer
- CE approved
- type of protection faucet IP 59K
- type of protection plug transformer IP 44
- Noise classification 1 in accordance with DIN4109 incl. certificate
- **GROHE EcoJoy®** technology for less water and perfect flow
- **GROHE StarLight®** finish
- For cold or premixed water
- Solenoid valve



* All information of the above is for the reference only. No prior notice is made if any changes.

註冊號碼 (Registration No.):

TN 21-0021



自願參與用水效益標籤計劃 - 水龍頭
Voluntary Water Efficiency Labelling Scheme - Water Taps



茲證明
This is to certify that

將下列水龍頭在本計劃內註冊：
has registered the following water tap under this scheme :

牌子 / Brand	:	Grohe
型號 / Model	:	36016XX1 + 403986040
種類 / Type	:	Non-mixing
原產地 / Country or Region Origin	:	Germany (Tap & Flow Controller)

XX – denotes the code of colour

在用水效益標籤上展示的標誌 <i>Symbolic Presentation on the Water Efficiency Label</i>	:		滴水點 <i>Water droplet(s)</i>
用水效益級別 <i>Water Efficiency Grade</i>	:	1	with additional merit*
耗水量 <i>Water Consumption</i>	:	1.7	公升/分鐘 <i>litres/minute</i>

*with additional merit of "Automatic closing mechanism"

簽發日期：
Date of Issue: 8 March 2021

 水務署
Water Supplies Department



水務署署長(張樂駒代行)
for Director of Water Supplies



Waterworks Department
48/F, Immigration Tower, 7 Gloucester Road, Wan Chai, Hong Kong

本署檔號 : (2) in WSD 3321/2020 T/J(1207/2020)
Our ref.
來函檔號 :
Your ref.

電話 :
Tel.
傳真 : 2824 0578
Fax.


15 October 2020



Approval of "GROHE" Sensor Tap (General Acceptance No. C20200922)

Your letter ref. WRC/2346 dated 4 September 2020 refers.

Having considered the test report ref. J24768A issued on 30 March 2020 by Nutek Systems (HK) Ltd., this Authority accepts that the fitting described below complies with, and its use when correctly installed does not contravene, the Waterworks Ordinance and Regulations.

Name of Manufacturer: Grohe AG
Country of Origin: Germany
Brand: Grohe
Details of Fitting: 3/8" Infrared electronic basin tap
Model: 36016XX1
(where the digits "XX" denote the code of colour)
Body Markings: 
Expiry Date: 5 November 2024

This Authority hereby permits the use of the above fitting in fresh water plumbing systems subject to full adherence to Waterworks installation requirements. In particular, you are required to draw your customers' attention to the following requirement-

"A stop cock or gate valve must be installed at the upstream of the fitting for manual isolation of water supply." AND

"The main voltage operated sensor valve should comply with the electricity safety regulation for applications in bathroom, toilet etc."

A condition of this acceptance is that the fitting to be installed shall be replicas of the sample as certified by the testing agent mentioned above and without modifications. This acceptance may be withdrawn at any time if the standard of the fitting installed fail to meet that of the approved sample or if the fitting is found to be unsuitable for use in fresh water plumbing systems.

This acceptance is only applicable to the main body of the fitting, unless otherwise specified.

For the use of the fitting in any project, the General Acceptance Number of this letter must be quoted as a means of identification of acceptance of the fitting by this Authority.

Should you have any enquiries, please contact our Engineer Mr. Terry KUNG at tel. no. 3583 4086.

Yours faithfully,



(CHAN Chung-kun)

for Director of Water Supplies

Encl.

c.c. WSD 3321/1/82] - without catalogue
ME/MC] - with soft copy only